

Patented in the U.S.A.

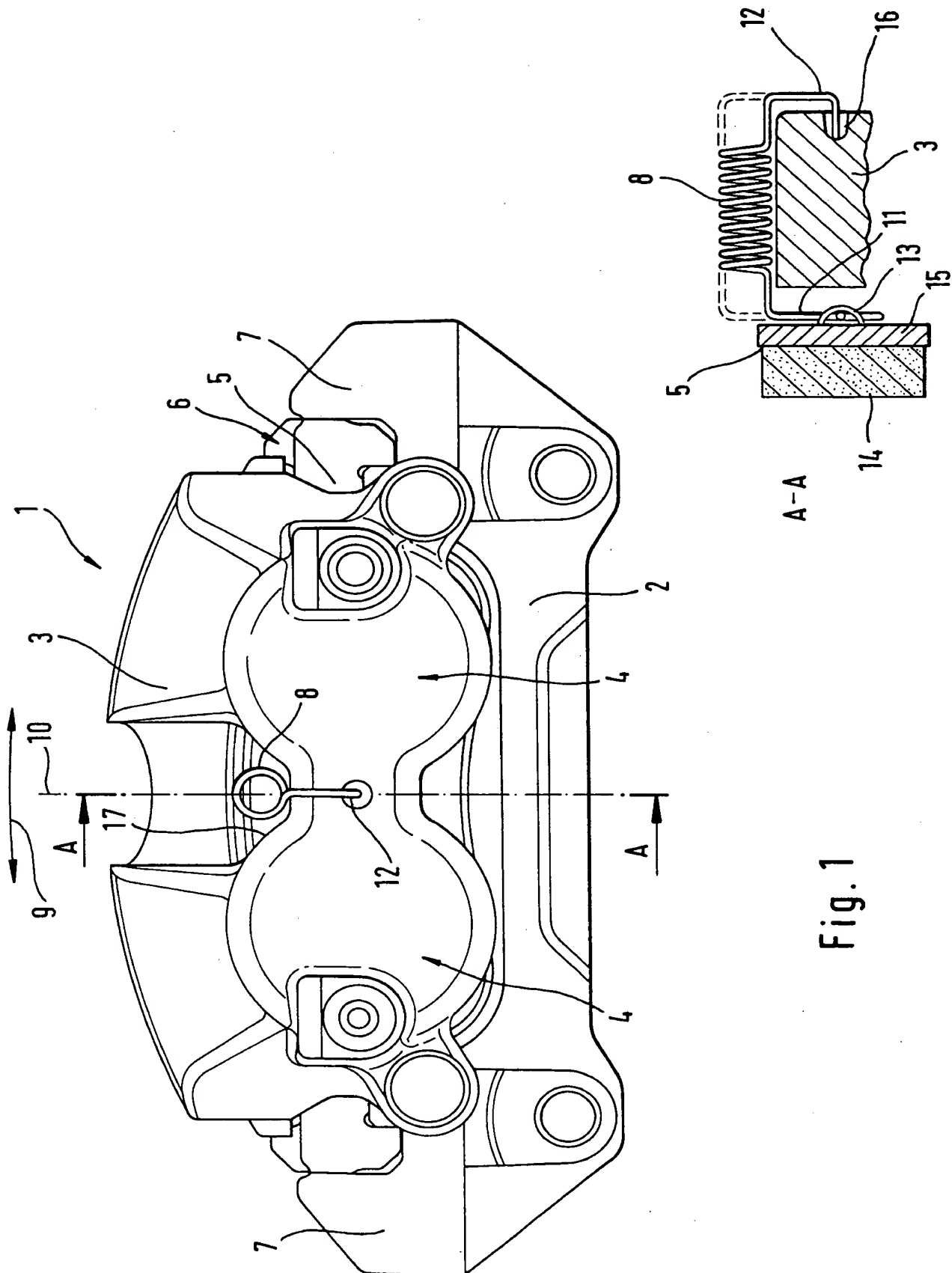


Fig. 1

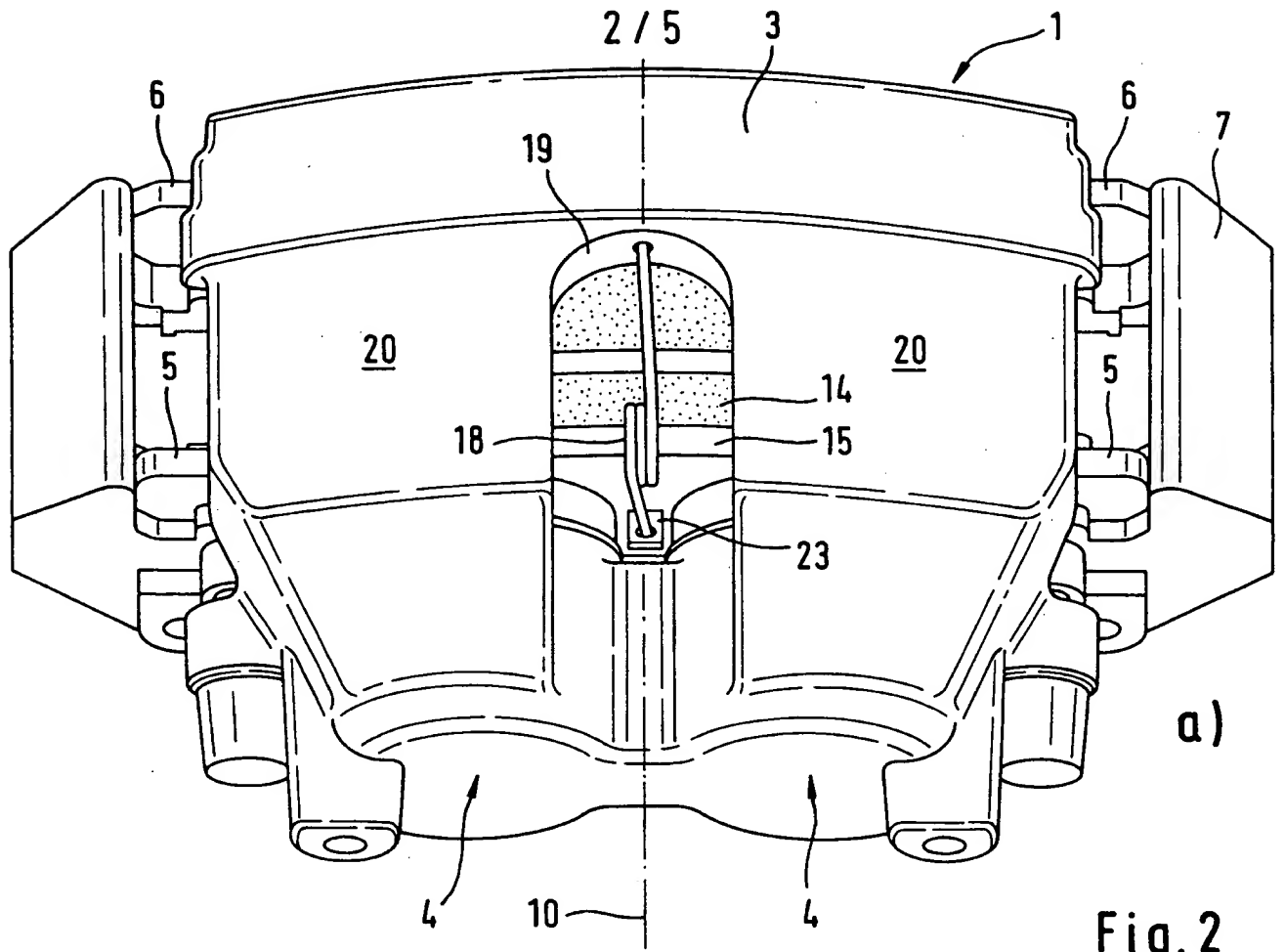
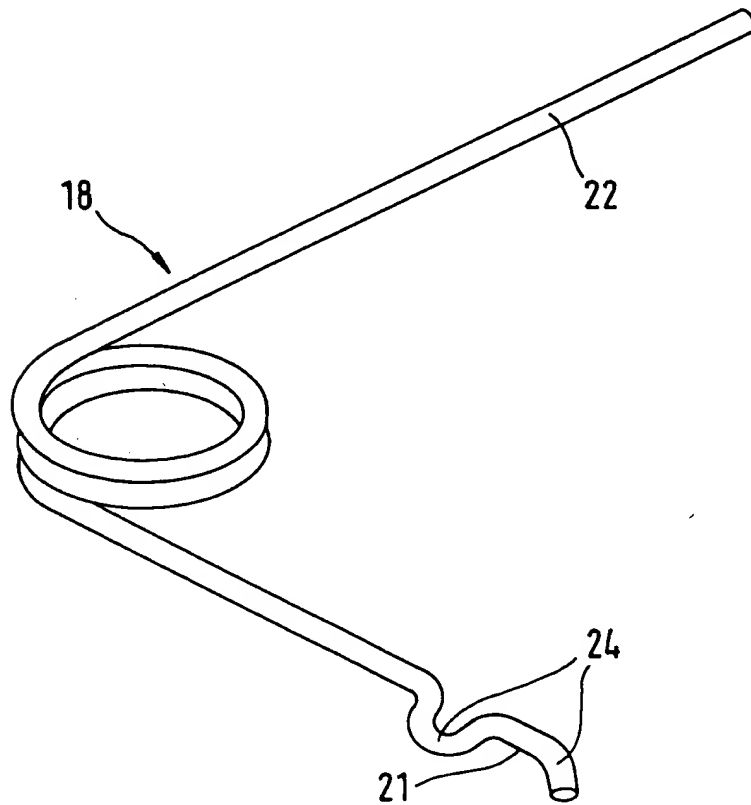


Fig. 2



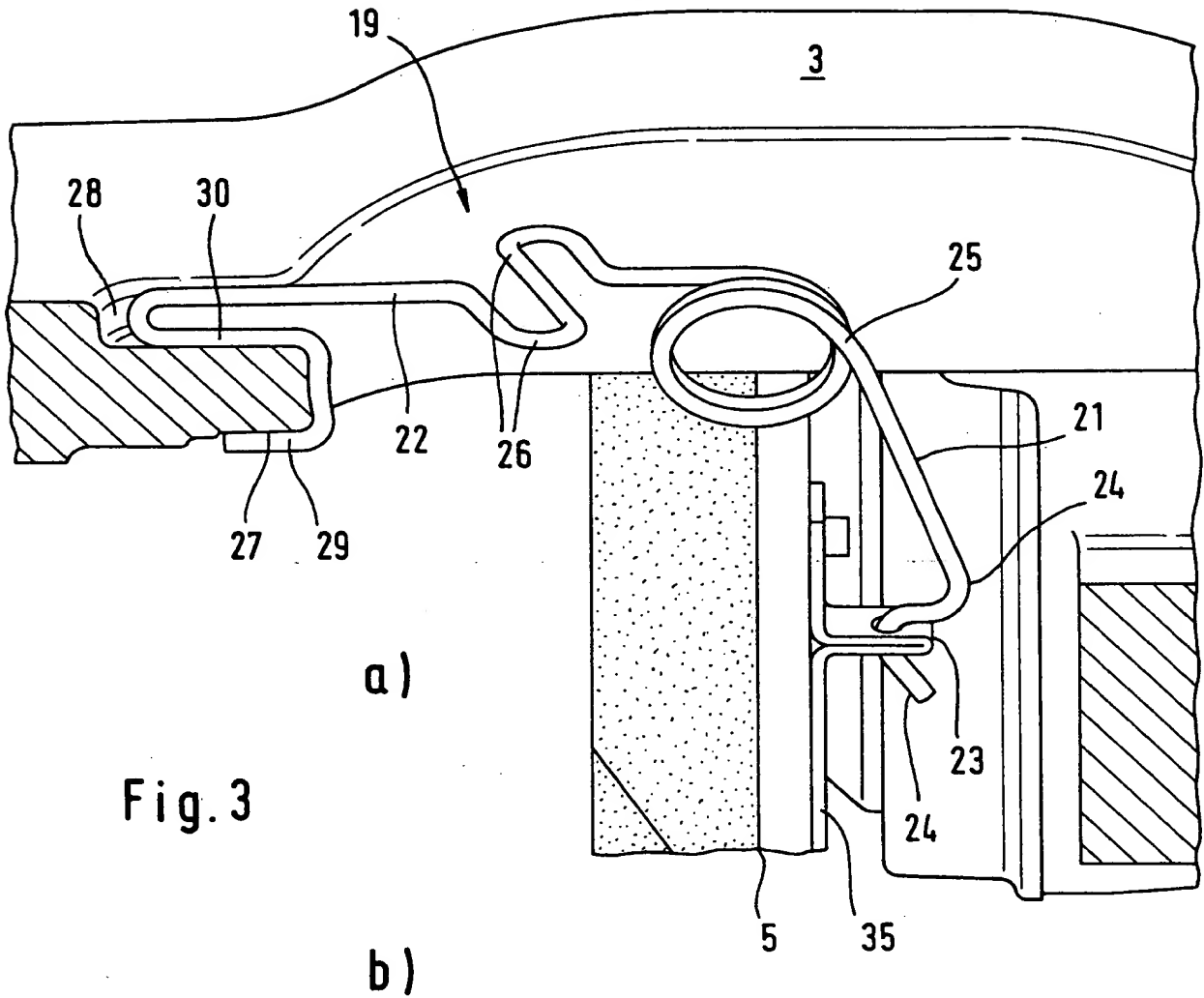


Fig. 3

425666

FOR 449360

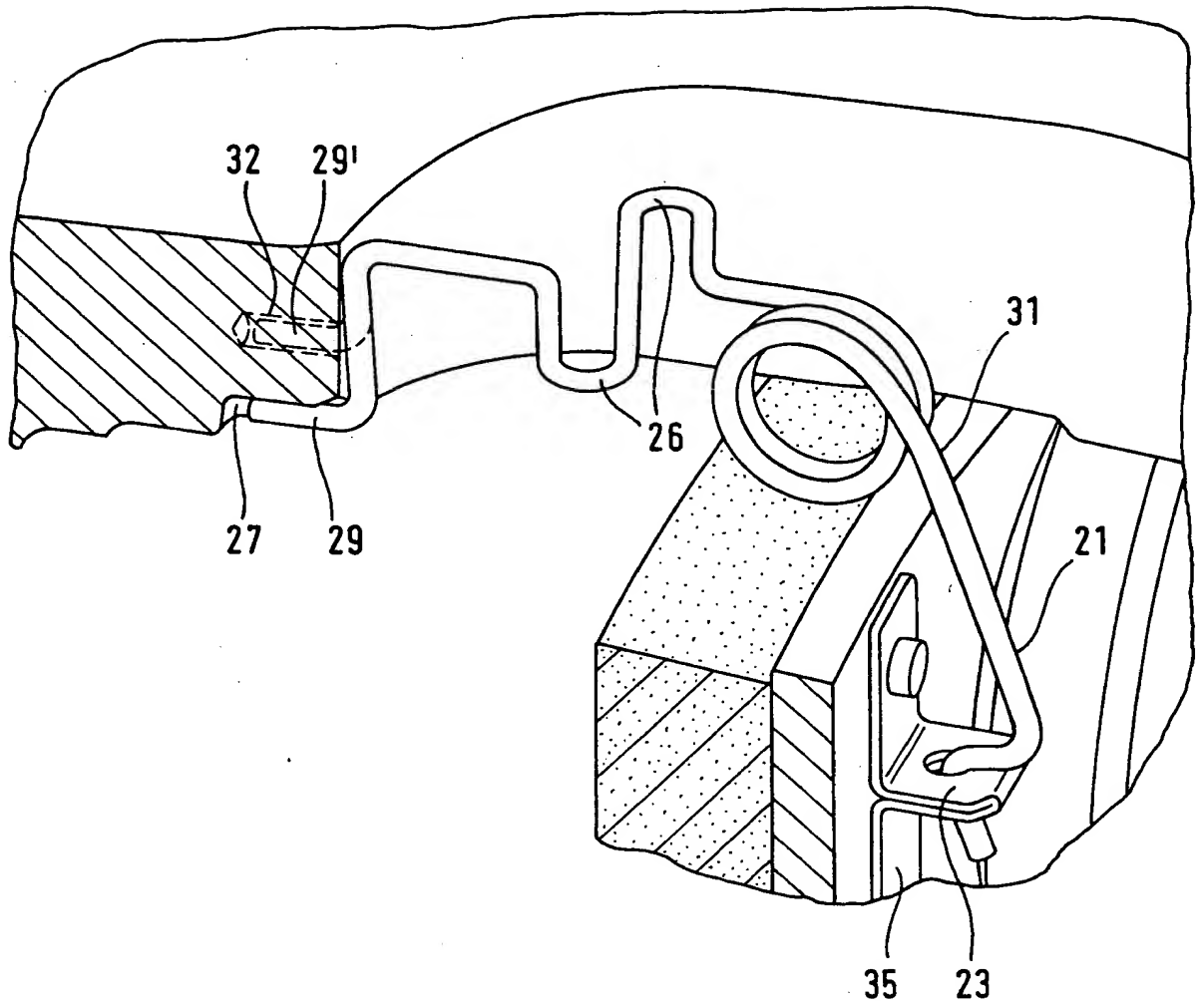
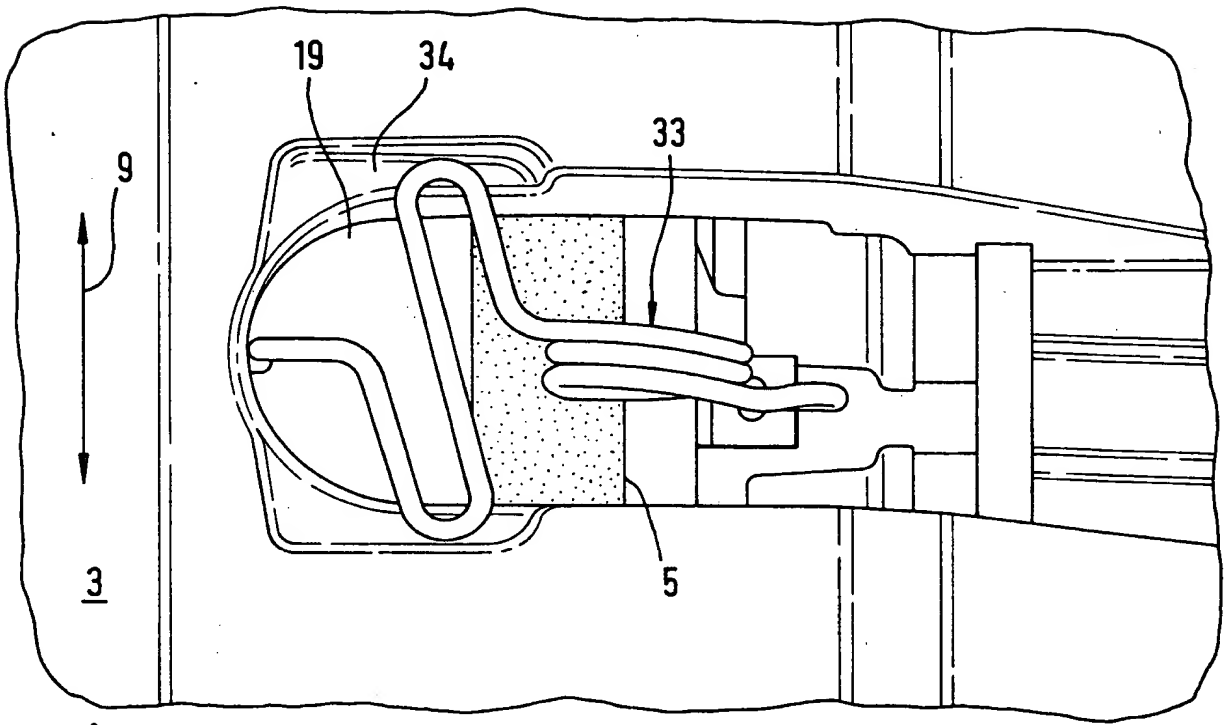
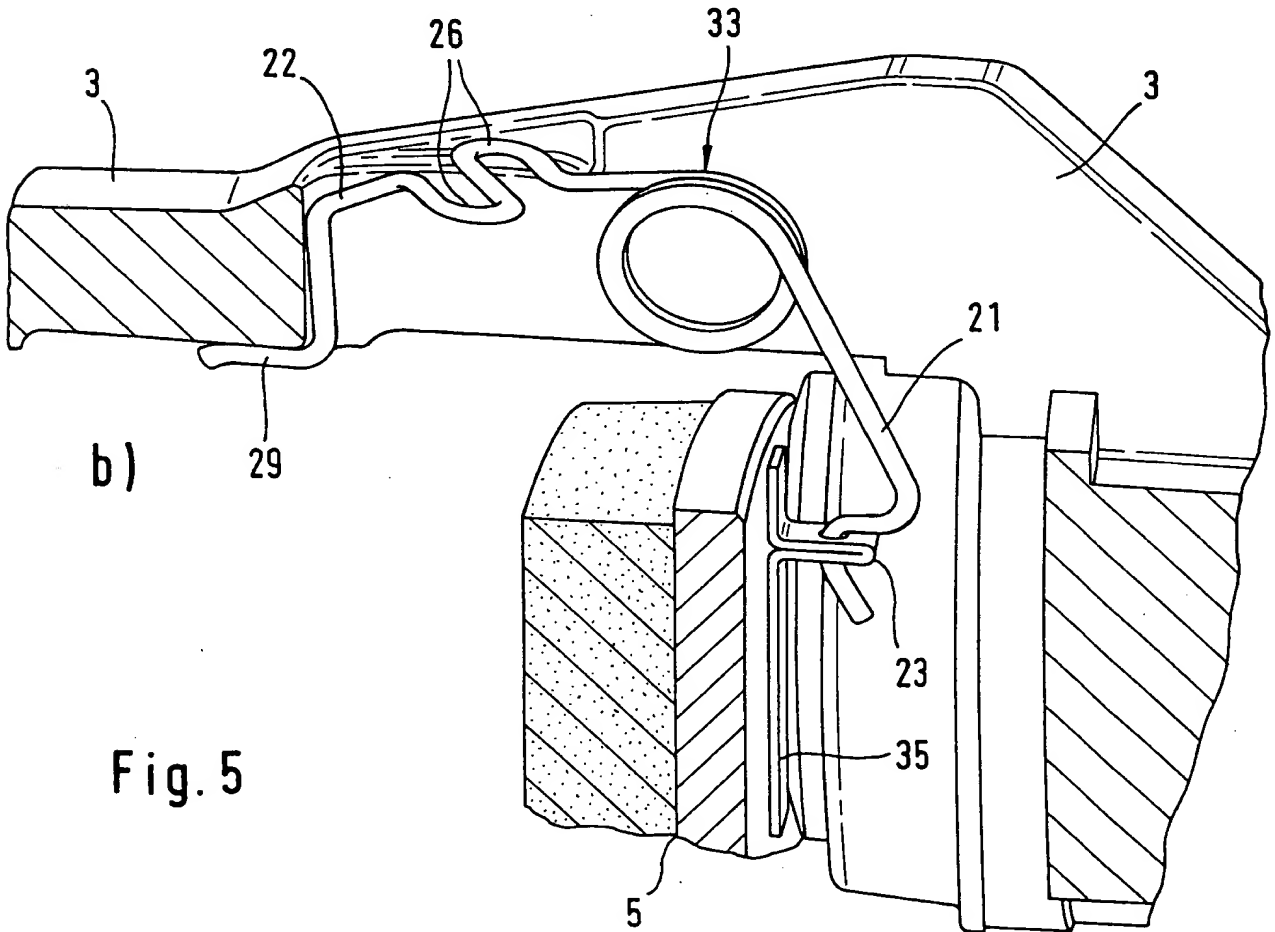


Fig. 4



a)



b)

Fig. 5

Pub. No. 4,610,462